

Welcome To



HOTEL  
CAMBODIANA



# HISTORIC HOTEL CAMBODIANA

313 Sisowath Quay, Chakto Mukh,  
Doun Penh, Phnom Penh, 120207,  
Kingdom of Cambodia



ROOMS



POOL



DINING



EVENTS

[info@hotelcambodiana.com.kh](mailto:info@hotelcambodiana.com.kh)  
[www.hotelcambodiana.com.kh](http://www.hotelcambodiana.com.kh)  
+855-23 426 288 / +855-23 218 189



# LOCAL EXPERIENCES

- Independence Monument
- Sihanouk Monument
- The Royal Palace
- The National Museum
- Khmer Cyclo





# Superior Rooms

Timeless Cambodian tradition meets western fusion in our well appointed suites. Choose from a King size or two Queen sized beds, the Superior Rooms feature elegant teak furniture, rich silk fabrics and luxurious marble bathrooms.

With river or city views to choose from, this understated elegance is pure comfort for your home Away from home.



64 Superior Rooms/ 36sqm



# Deluxe Rooms

Our Deluxe Rooms combine comfort and elegant decor including artistically created Cambodian designs. The rooms are located on all levels and come with spacious private bathrooms with a separate shower and bath tub. Perfect for both the business and leisure traveler, our spacious Deluxe Rooms offer true comfort and convenience.



150 Deluxe Rooms/ 36sqm



16 Junior Suites/ 72sqm

## Junior Suite

Our well-designed Junior Suites are equipped with modern facilities and are suitable for corporate clients, business executives and families. Featuring a large living and dining area and a spacious bathroom, Junior Suites are available on all floors of the Hotel.

# Executive Suites

Privately located at the far wing of each floor, the elegantly decorated Executive Suites are pure indulgence and highly popular with our distinguished guests. Perfect for the executive business traveler, these rooms feature King sized beds include full-sized dining and a luxurious lounge area, and are fitted with the full range of amenities one would expect from an Executive Suite.



8 Executive Suites/ 96sqm





# Studio Rooms



# the MEKONG



Enjoy your dining & drinking. Ready from Breakfast to Dinner, choose from an international buffet or an À-La-Carte menu featuring European, Western, Asian and Khmer cuisine.





# La Brioche bakery



The most famous bakery in town is perfect for those young and old who need their daily fix for Phnom Penh's finest baked delicacies including Homemade Chocolates, cakes, pastries, and freshly baked breads.



# Lobby bar



Offers the perfect setting to unwind after a full day of sightseeing or to hold a casual business meeting. A perfect place to relax over an early evening cocktail or after-work drink with colleagues or friends.





An unforgettable experience at one of the city's most stylish night spots. Enjoy cocktails and fine wines while listening to one of the capital's most popular Band.





Hold your next meeting or company conference and select from one of our seven private function rooms. One of Cambodia's most experienced hotels in business functions, our event professionals are available to assist you with every aspect of your next event. With a variety of rooms to accommodate functions ranging from a small meeting to an international delegation, the Hotel Cambodiana offers tailor-made business and conferencing packages to please the most discerning guest.

## Meetings & Conferences







## Function Rooms

Unique to Phnom Penh, the Hotel Cambodiana's outdoor banquet facilities are situated on the expanse of the Mekong River. Suitable for events ranging from 10 – 5000 guests. The Hotel Cambodiana is renowned for hosting some of Phnom Penh's largest society weddings, conferences and events.



## Private Functions



Hotel Cambodiana offers everything you need to make your wedding beautiful, launch memorable and special event spectacular.



## Weddings



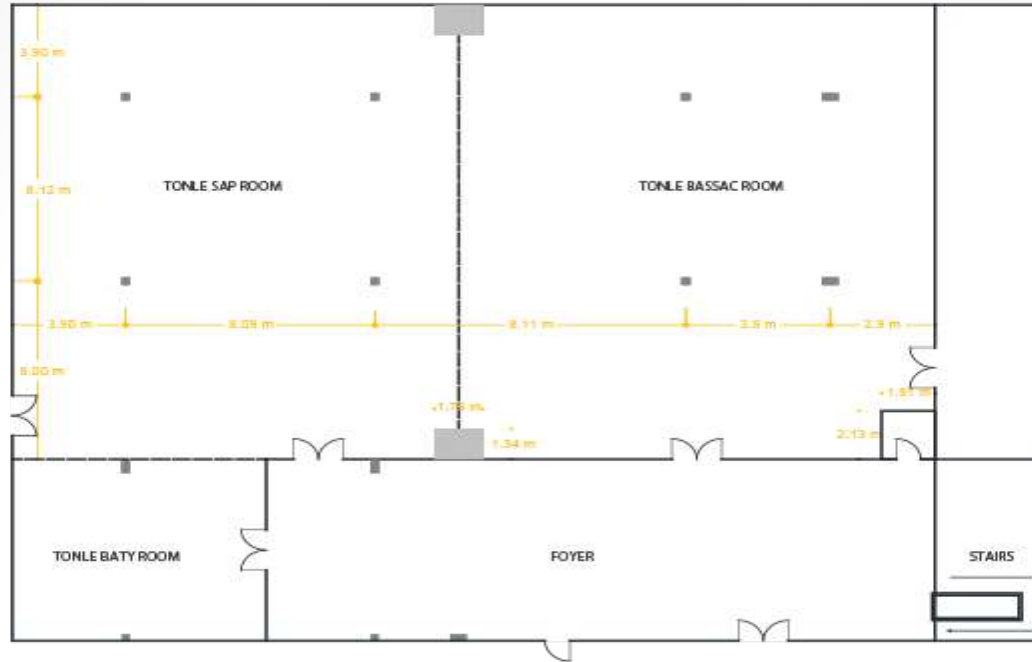
# Annual New Year's Eve Party



The Grand Ballroom with ceiling to floor glass windows provide unparalleled sweeping river views and can accommodate up to 5000 guests. There is also a spacious pre-dinner cocktail foyer, ideal for welcoming guests.



## Grand Ballroom



BANQUET ROOMS	Length m	Width m	Area m <sup>2</sup>	High m	CAPACITY					
					Theatre	Class room	U-shape	Cocktail	Buffet	Set-menu
TONLE BASSAC ROOM	21.00	14.50	304.50	3.50	250	100	50	250	180	200
TONLE SAP ROOM	21.00	14.50	304.50	3.50	250	100	50	250	180	200
TONLE BASSAC & TONLE SAP	42.00	29.00	1218.00	3.50	700	200	80	500	360	400
TONLE BATY ROOM	8.00	8.00	64.00	3.50	40	20	15	40	30	40

# Grand Ballroom





## Tonle Chaktomuk Room



HOTEL  
CAMBODIANA



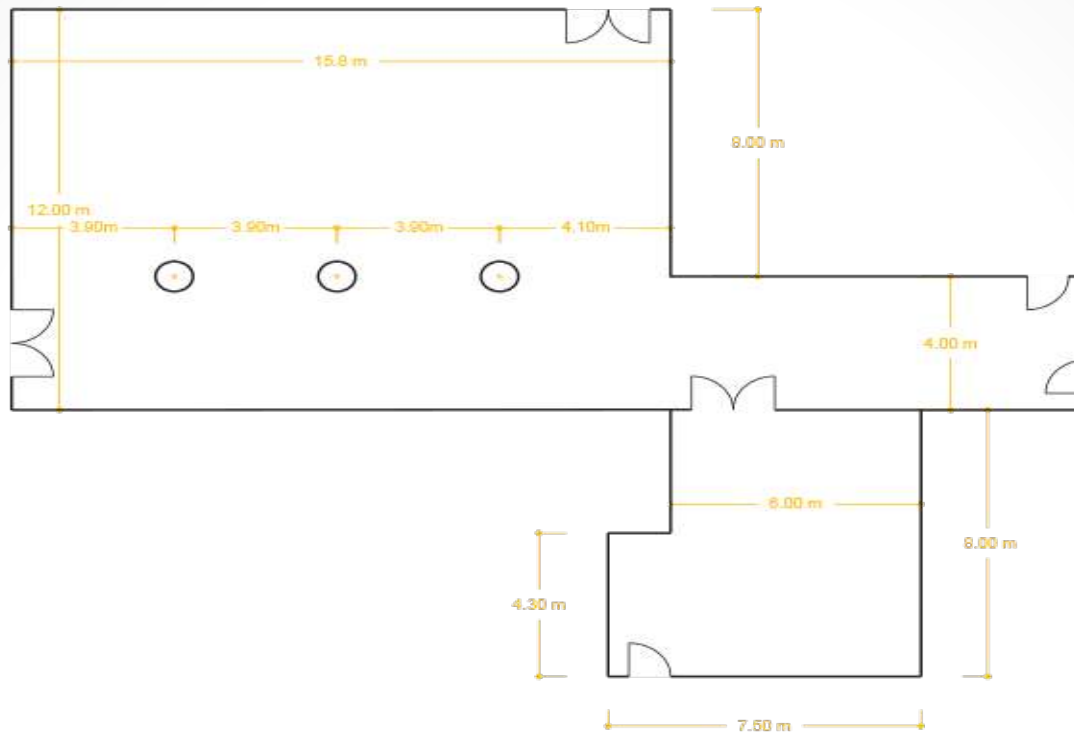
BANQUET ROOMS	Length m	Width m	Area m <sup>2</sup>	High m	CAPACITY					
					Theatre	Class room	U-shape	Cocktail	Buffet	Set-menu
TONLE CHAKTOMUK ROOM	20.00	12.00	240.00	3.50	250	150	50	250	110	110

# Tonle Chaktomuk Room





# Tonle Mekong Room



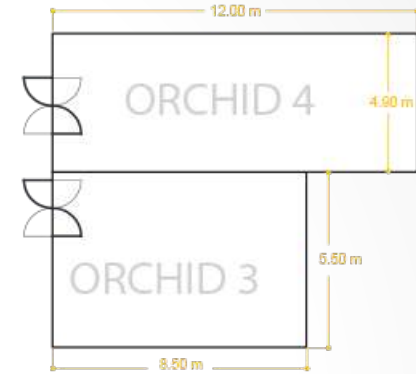
BANQUET ROOMS	Length m	Width m	Area m <sup>2</sup>	High m	CAPACITY					
					Theatre	Class room	U-shape	Cocktail	Buffet	Set-menu
TONLE MEKONG ROOM	16.00	12.00	192.00	3.00	120	60	50	100	80	90
TONLE MEKONG VIP ROOM	8.50	7.50	63.75	3.00	40	30	25	30	30	30

# Tonle Mekong Room



## Orchid Rooms





BANQUET ROOMS	Length m	Width m	Area m <sup>2</sup>	High m	CAPACITY					
					Theatre	Class room	U-shape	Cocktail	Buffet	Set-menu
THE ORCHID ROOM 1	12.50	6.00	75.00	3.00	45	20	20	60	50	60
THE ORCHID ROOM 2	25.00	6.00	150	3.00	130	70	60	150	100	100
THE ORCHID ROOM 2A	16.50	6.00	99.00	3.00	55	30	30	80	60	70
THE ORCHID ROOM 2B	8.00	6.00	48.00	3.00	25	15	15	40	30	40
THE ORCHID ROOM 3	8.50	5.00	42.50	3.00	36	30	18	40	20	30
THE ORCHID ROOM 4	12.00	5.00	60.00	3.00	48	36	24	50	30	20
THE ORCHID ROOM 5	5.00	4.00	20.00	2.50	15	9	10	20	10	10

# Orchid Rooms



Refresh with a dip in our pool while enjoying captivating views of the Mekong River. Indulge in a cocktail or fresh juice in a sunny and casual setting.



## Swimming Pool



Enjoy a game of tennis during your visit on one of our synthetic grass courts conveniently located at the front of the Hotel. Equipment is available upon request and we suggest you book the court in advance to avoid disappointment.



## Tennis Courts







Keep in-shape during your stay at the Physique Club, conveniently located by the poolside on the riverfront. The Physique Club is one of Phnom Penh's largest indoor fully air-conditioned gyms with extensive state-of-the-art equipment and facilities. Our friendly and helpful staff are available to facilitate any training assistance required.



**Gym with Steam and Sauna**



A good opportunity to take advantage of a more strategic location offering visitors convenient access to roads and tourist routes. Excellent location, parking included regular maintenance and cleaning with 24 hours security.



## Executive Offices & Shops





## *Laundry Shop*

Hotel Cambodiana Laundry and Dry Cleaning Services is the “one stop shop” for all your laundry, dry cleaning and pressing needs.





ស្រុក អង្គរ កម្ពុជា  
Thank you

